



E62WP

Industrial Thermal Inkjet Printer



Scan to learn more about



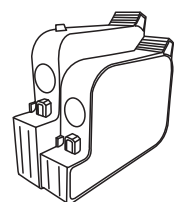
Hi-Res & Versatile Coding



High Speed Printing



Powerful PC Software



Convertible 0.5 " / 1 " Cartridges



Industrial Grade Hardware



IP 66 Rated Controller

Solid aluminum body with durable waterproof interfaces and cables, designed to withstand challenging, damp, and dusty environments.



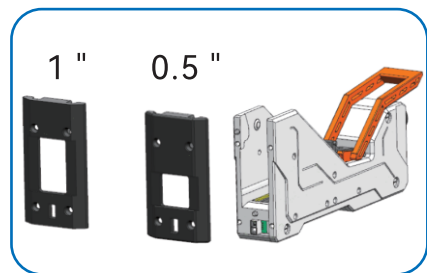
Versatile I/O Ports

Meet the connectivity demands of Industry 4.0, offering a diverse range of industrial interfaces alongside a supplementary cable expansion box.



Robust Connecting Cables

Industrial grade cables, waterproof and anti-interference, prevents from accidental disconnection.

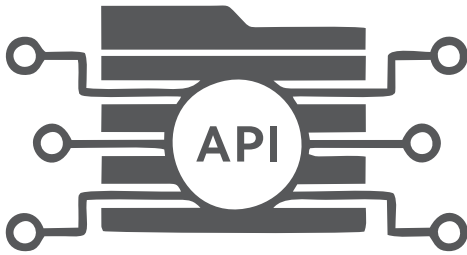


Convertible 0.5 " /1 " cartridges

Simply replace the front panel of the printheads to convert from a 0.5 " cartridge to a 1 " cartridge, easy, fast and flexible to meet your coding needs.



Advanced Printing Features



API for External Devices

Provide API protocols for connecting external devices such as barcode scanners and scales, allowing real-time access to product information from external devices for printing.

Supports GS1 Dynamic Codes

Can be integrated with third-party platforms' GS1 QR code generator, supports dynamic and static GS1 QR code printing.

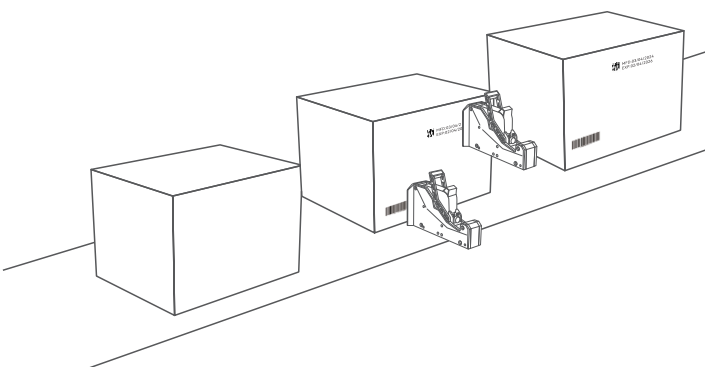
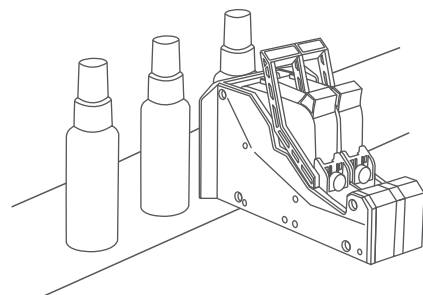


PC software for centralized management

Our private PC software can control up to 20 inkjet printers across multiple production lines, allowing for editing of printing content and centralized management of printing jobs to improve production efficiency.

Replacing Cartridges Without Production Stop

Parallel ink printhead design allows for ink cartridge replacement without stopping the production line, improving production efficiency.



Multi-task Printing With Independent Delay Settings

When one controller controls multiple printheads, it supports the independent control and delay setting of photocell sensors to meet different printing needs.



Product Parameters

Controller System

Display	7" HD touch screen		
Operation System	Linux OS		
System Languages	Chinese / English / German / Arabic / Spanish / Russian / Japanese / Korean / Italian / Portuguese / French / Hindi / Thai / Vietnamese / Persian / Turkish / Chinese Traditional / Indonesian / Slovenian / Serbo-Croatian / Czech / Bulgarian / Romanian / Polish / Greek / Hungarian / Ukrainian / Slovak / Burmese (Available languages vary for different regions)		
Embedded Memory	8G		
Status Alarm	Green: Ready Blue: Printing Red: Alarm		
Working Environment	Storage:0-45°C	Working 5-35°C	Humidity10%-80%
Power	Input: AC100-240V. Output: DC24V 4A		
I/O Ports	Controller: Ethernet*1, USB A*1, USB*1, Printhead*2, Sensor*1, Encoder(synch wheel)*1, Expansion box*2, Expansion box: RS 232*1 , RS 485*1, Beacon*1		
Accessories	Standard: Fiber Optical Sensor*1, Expansion Box*1, Expansion box Y cable*1, Printhead cable*1 Optional: Encoder(Synch wheel), Anti-shock module, Rotation module, Beacon		

Printing Features

Technology	Thermal inkjet printing technology		
Ink Throw Distance	2-5mm		
Coding& Marking Type	Static: Text, Image Dynamic: Counter, Lot, String, Shiftcode, Time, Date, Database		
Barcodes & QR codes	Barcodes: Code128, Code128B, Code39, EAN8, EAN13, UPCA, UPCE, EAN128, INT25, ITF14, Code93, GS1RSS14, GS1EAN128, GS1-Truncated, GS1RSS14Limit, GS1RSS14EX, GS1-Stacked, GS1-StackedOmni, GS1-StackedEx, Code 2 of 5 Variants: (Code 25)Matrix 2 of 5, Industrial 2 of 5, IATA 2 of 5, Datalogic 2 of 5, Interleaved 2 of 5 QR codes: GS1-QR Code, GS1-Data Matrix, Grid Matrix, Maxicode, PDF417, Truncated PDF417, Micro PDF417		
Image Formats	JPG, JPEG, PNG, BMP		
Fonts	True type fonts, Dot-Matrix fonts		
Printable Materials	Porous, Semi-porous and Non Porous		
Resolution	X-DPI: 75/100/150/200/300/600/1200; Y-DPI:300/600		
Print Height	Single head: 12.7mm/0.5" (max 5 lines) ; 25.4mm/1" (max 10 lines) Stitch: 25.4mm/1"(max 10 lines) ; 50.4mm/2" (max 20 lines)		
Max Message Length	2100mm		
Max Print Speed	30m/minute@600dpi 60m/minute@300dpi 196m/minute@75dpi		
Ink Cartridge	Water-based (42ml*1), Color options: Black, Cyan, Magenta, Yellow Solvent-based (42ml*1), Color options: Black, Cyan, Magenta, Yellow, White, Green		

Product Models

Product Name	E62WP		
Model	E62WP-1-1 (Single-Head *1)	E62WP-2-1 (Dual-Head *1)	E62WP-2-2 (Single-Head *2)
Controller Dimension	296*142*67mm		
Controller Weight	6KG		
Expansion Box Dimension	130*103*40mm		
Expansion Box Weight	1.86KG		
Printhead Dimension	193*80.5*31.5mm		
Printhead Weight	3KG		
Optional Cable Length	Standard 1m, Optional 2, 3, 5 meters		
Packaging Weight	10.92KG	14KG	
Packaging Size	550*460*450mm		

